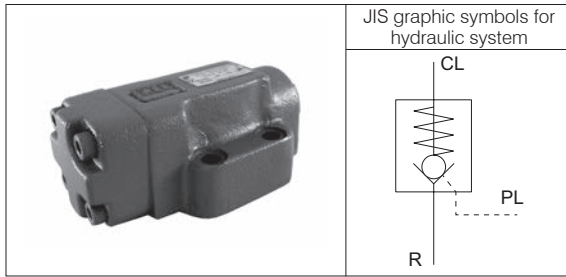


Pilot Operated Check Valves



Features

- The check valve opens when the pressure reaches the cracking pressure, allowing fluid to flow only in one direction. The fluid can also be allowed to flow in the reverse direction by applying external pilot pressure to push up the check valve.
- A decompression type incorporating a small check valve that opens before the main valve is opened is also available.

Nomenclature

※ - JCP ※ - ※ ※ ※ - ※ ※ - 20 - ※
 1 2 3 4 5 6 7 8

1 Applicable fluid code

No designation: Petroleum-based hydraulic fluid, water-glycol hydraulic fluid
 F: Phosphate ester hydraulic fluid

2 Model No.

JCP: J series pilot operated check valve

3 Decompression code

No designation: Direct operated type
 D: Decompression type

4 Connections

G: Gasket mount type
 T: Screw connection type
 F: Flange connection type

5 Nominal diameter

03: 3/8
 06: 3/4
 10: 1 1/4
 16: 2

6 Cracking pressure code

04: 0.04 MPa {0.4 kgf/cm²}
 20: 0.2 MPa {2 kgf/cm²}
 35: 0.35 MPa {3.5 kgf/cm²}
 50: 0.5 MPa {5 kgf/cm²}

7 Design No.

(The design No. is subject to change)

8 Drainage code

No designation: External drain type
 Z: Internal drain type

※ The external/internal drain type setting cannot be changed.

Specifications

| Model code | Nominal diameter | Maximum operating pressure MPa {kgf/cm ² } | Maximum flow rate L/min | Area ratio*1 | Mass kg |
|------------------|------------------|---|-------------------------|--------------|-------------|
| JCP(D)-G03-※※-20 | 3/8 | 25 {250} | 60 | (1) 2.47:1 | 3.3 |
| JCP(D)-T03-※※-20 | | | | (2) 30.25:1 | 3 |
| JCP(D)-G06-※※-20 | 3/4 | | 200 | (1) 2.46:1 | 5.4 |
| JCP(D)-T06-※※-20 | | | | (2) 31.36:1 | 5.5 |
| JCP(D)-F06-※※-20 | | | 6.6 | | |
| JCP(D)-G10-※※-20 | 1 1/4 | | 400 | (1) 2.50:1 | 8.5 |
| JCP(D)-T10-※※-20 | | | | | (2) 29.47:1 |
| JCP(D)-F10-※※-20 | | | 11.6 | | |
| JCP(D)-F16-※※-20 | | | 2 | 800 | (1) 2.48:1 |
| | | | | (2) 27.56:1 | |

Note: *1 Area ratio (1) Pilot piston: Large check valve
 (2) Pilot piston: Small check valve (Decompression type)

Sub-plate model code

- The sub-plate is not provided with the valve. Order it separately as required by specifying the model code given in the table below.

| Model code | Nominal diameter | Connection port diameter | Mass kg |
|------------|------------------|--------------------------|---------|
| JCP-03M | 3/8 | Rc3/8 | 1.6 |
| JCP-03M04 | | Rc1/2 | |
| JCP-06M | 3/4 | Rc3/4 | 2.4 |
| JCP-06M08 | | Rc1 | 3 |
| JCP-10M | 1 1/4 | Rc1 1/4 | 4.8 |
| JCP-10M12 | | Rc1 1/2 | 5.7 |

Refer to Page S-11 for the dimensions of the sub-plate.

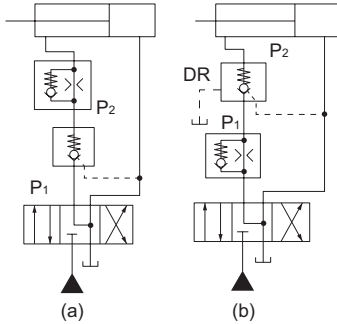
Accessories

| Connections | Model No. | Hexagon socket head cap bolt | Quantity | Tightening torque N·m {kgf·cm} |
|------------------------|---|------------------------------|----------|--------------------------------|
| Gasket mount type | JCP(D)-G03 | M10 × 45 | 4 | 48 to 63 {480 to 630} |
| | JCP(D)-G06 | M10 × 50 | 4 | 48 to 63 {480 to 630} |
| | JCP(D)-G10 | M10 × 55 | 6 | 48 to 63 {480 to 630} |
| Flange connection type | Flange (JIS B 2291 SSA), O-ring, mounting bolts | | | |

Handling

● Application of internal and external drain types

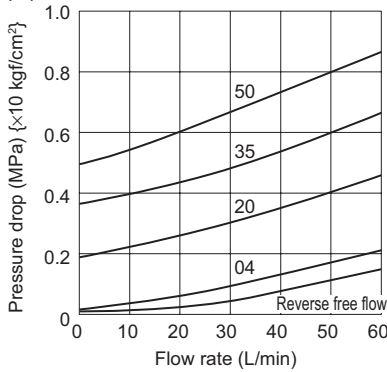
- When port P1 at the outlet side is directly connected to the tank with reverse free flow as shown in figure (a), use the internal drain type. When back pressure is applied to port P1 at the outlet side as shown in figure (b), use the external drain type.



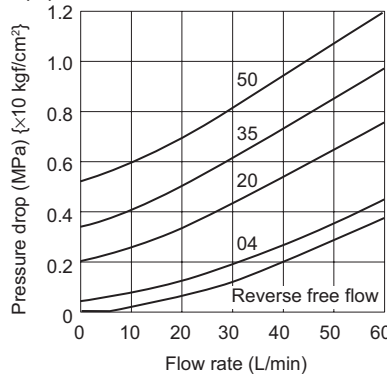
Performance curves (viscosity: 32 mm²/s {cSt})

● Free flow pressure drop characteristics/reverse free flow pressure drop characteristics

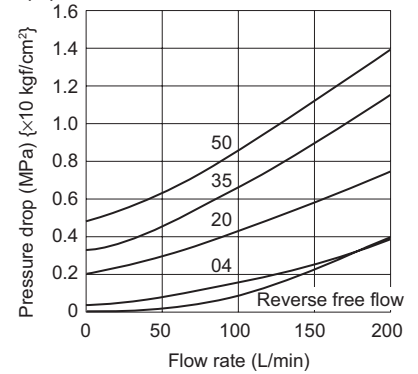
JCP(D)-G03



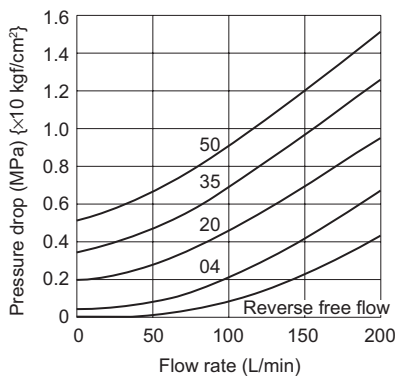
JCP(D)-T03



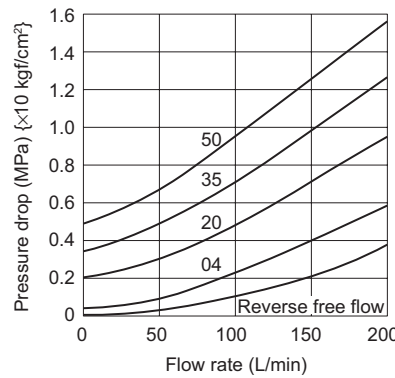
JCP(D)-G06



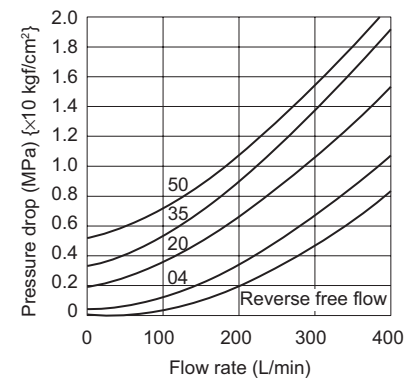
JCP(D)-T06



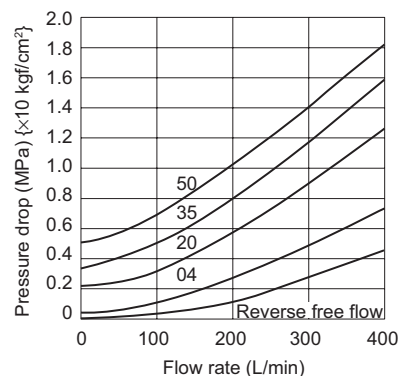
JCP(D)-F06



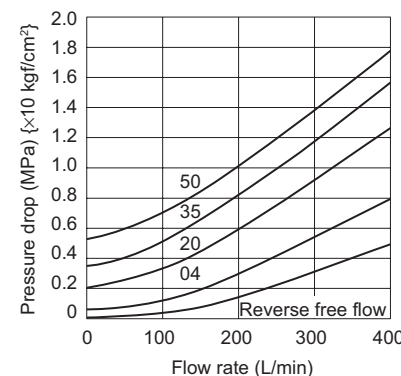
JCP(D)-G10



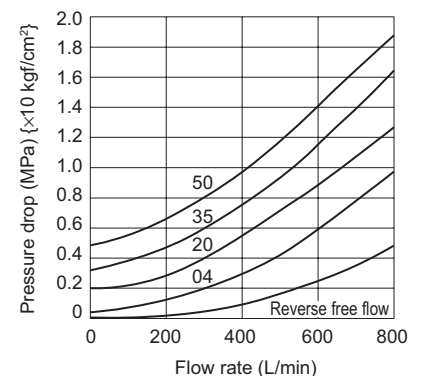
JCP(D)-T10



JCP(D)-F10



JCP(D)-F16



Contact Details

Before using the product, please check the guide pages at the front of this catalog.

Internet

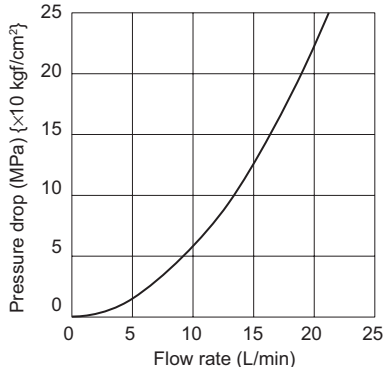
<https://www.daikinpmc.com/en/>

For latest information, PDF catalogs and operation manuals

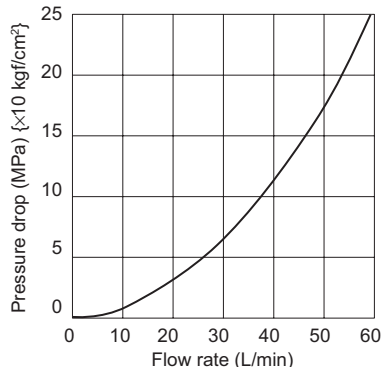
Performance curves (viscosity: 32 mm²/s {cSt})

- Pressure drop characteristics (with the small check valve fully open)

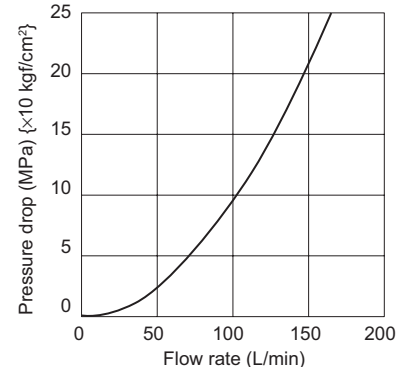
JCPD-※03



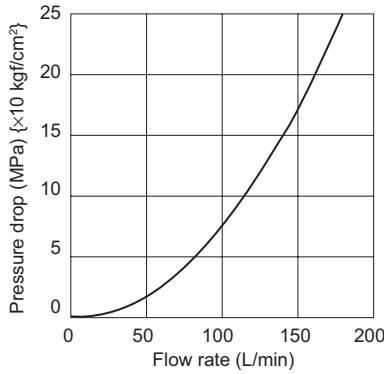
JCPD-※06



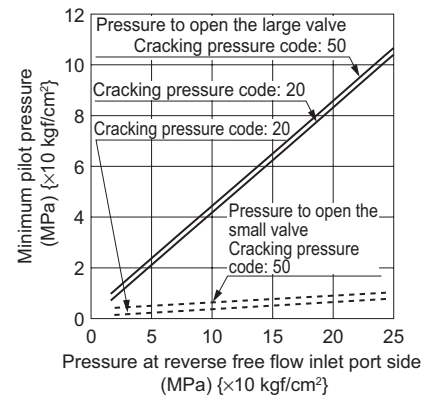
JCPD-※10



JCPD-F16

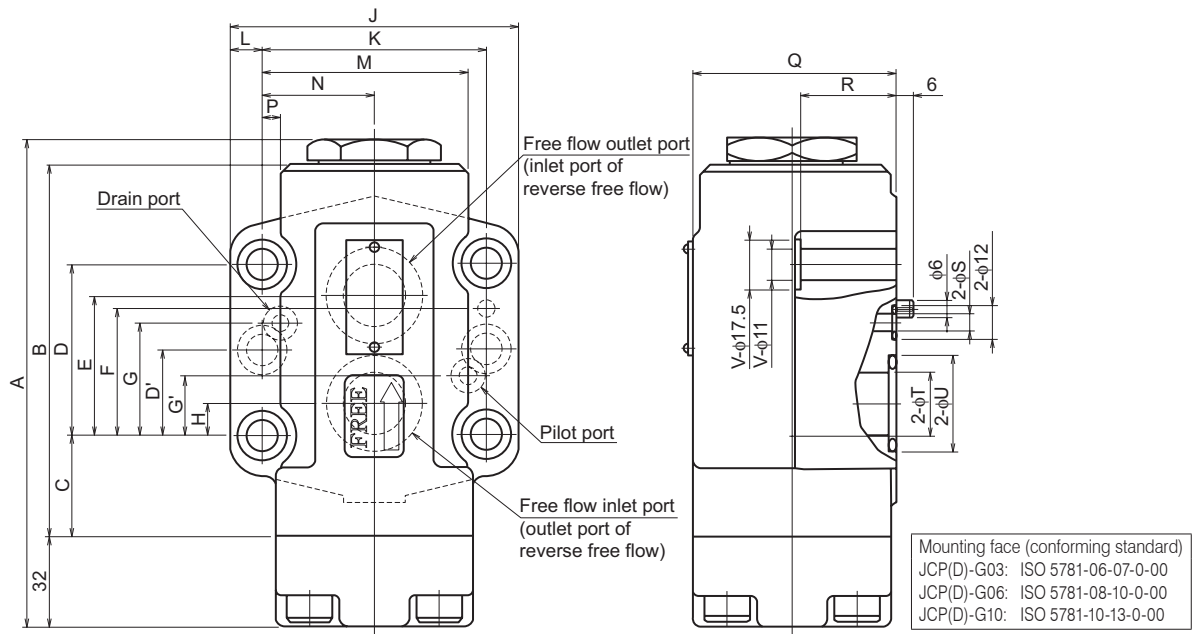


- Minimum pilot pressure characteristics



External dimension diagram

JCP(D)-G※※

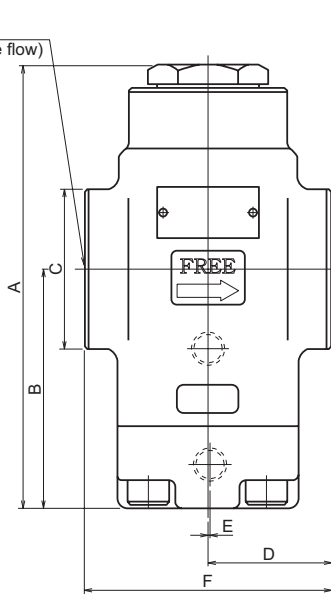


| Model No. | Dimensions | | | | | | | | | | | | | | | | | | | | | |
|------------|------------|-----|------|------|------|------|------|------|------|------|-----|------|-------|------|------|-----|----|----|---|----|----|---|
| | A | B | C | D | D' | E | F | G | G' | H | J | K | L | M | N | P | Q | R | S | T | U | V |
| JCP(D)-G03 | 150.5 | 110 | 34 | 42.9 | — | 35.7 | 31.8 | 21.4 | 21.4 | 7.1 | 90 | 66.7 | 11.65 | 58.7 | 33.3 | 7.9 | 60 | 30 | 5 | 14 | 22 | 4 |
| JCP(D)-G06 | 171.5 | 131 | 35.5 | 60.3 | — | 49.2 | 44.5 | 39.7 | 20.8 | 11.1 | 102 | 79.4 | 11.3 | 73 | 39.7 | 6.4 | 72 | 35 | 6 | 22 | 34 | 4 |
| JCP(D)-G10 | 203.5 | 163 | 38 | 84.1 | 42.1 | 67.5 | 62.7 | 59.6 | 24.6 | 16.7 | 119 | 96.8 | 11.1 | 92.9 | 48.4 | 4 | 87 | 40 | 6 | 28 | 38 | 6 |

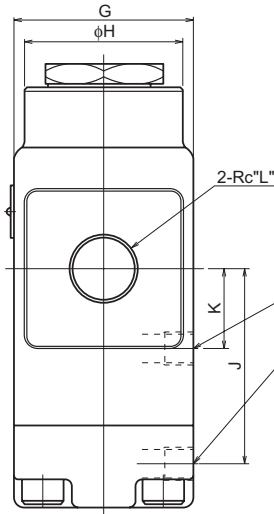
External dimension diagram

JCP(D)-T※※

Free flow inlet port
(outlet port of reverse free flow)



Free flow outlet port
(inlet port of reverse free flow)

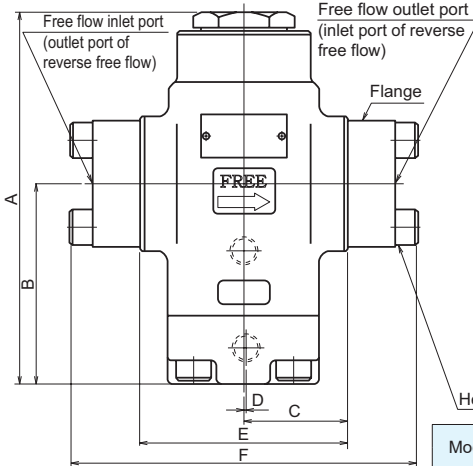


Drain port (Rc $\frac{1}{4}$)
(No drain port provided for the internal drain type)
Pilot port (Rc $\frac{1}{4}$)
(Direction can be changed by rearranging the covers.)

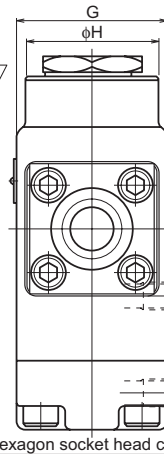
| Model code | Dimensions | | | | | | | | | | |
|------------|------------|------|-----|----|---|-----|-----|----|------|------|-----------------|
| | A | B | C | D | E | F | G | H | J | K | L |
| JCP(D)-T03 | 150.5 | 84.5 | φ38 | 40 | 1 | 80 | □58 | 48 | 67.5 | 26.5 | $\frac{3}{8}$ |
| JCP(D)-T06 | 171.5 | 92.5 | □62 | 48 | 1 | 96 | □70 | 62 | 75.5 | 31 | $\frac{3}{4}$ |
| JCP(D)-T10 | 203.5 | 113 | □80 | 70 | 7 | 140 | φ80 | - | 96 | 43 | 1 $\frac{1}{4}$ |

JCP(D)-F06, F10

Free flow inlet port
(outlet port of reverse free flow)



Free flow outlet port
(inlet port of reverse free flow)

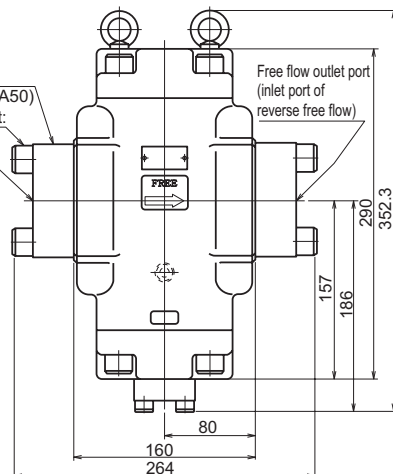


Drain port (Rc $\frac{1}{4}$)
(No drain port provided for the internal drain type)
Pilot port (Rc $\frac{1}{4}$)
(Direction can be changed by rearranging the covers.)

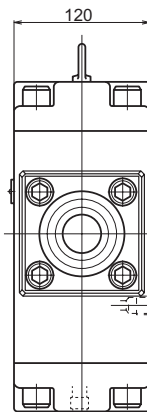
| Model code | Dimensions | | | | | | | | | | Flange | Hexagon socket head cap bolt |
|------------|------------|------|----|---|-----|-----|-----|----|------|----|------------------|------------------------------|
| | A | B | C | D | E | F | G | H | J | K | | |
| JCP(D)-F06 | 171.5 | 92.5 | 48 | 1 | 96 | 160 | □70 | 62 | 75.5 | 31 | JIS B 2291 SSA20 | M10 × 40 |
| JCP(D)-F10 | 203.5 | 113 | 70 | 7 | 140 | 220 | φ80 | - | 96 | 43 | JIS B 2291 SSA32 | M12 × 45 |

JCP(D)-F16

Flange
(JIS B 2291 SSA50)
Hexagon socket head cap bolt:
M16 × 60
Free flow inlet port
(outlet port of reverse free flow)



Free flow outlet port
(inlet port of reverse free flow)



Drain port (Rc $\frac{1}{8}$)
(Plugged in the case of the internal drain type)

Pilot port flange
(SSA10)

Contact Details

Before using the product, please check the guide pages at the front of this catalog.

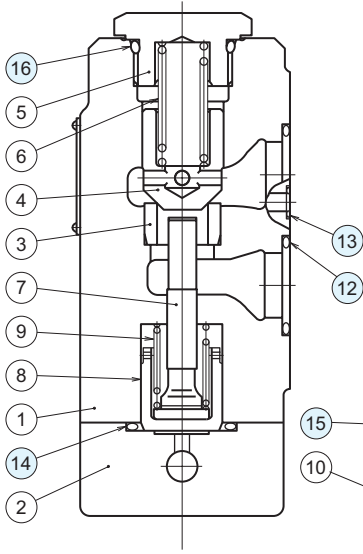
Internet

<https://www.daikinpmc.com/en/>

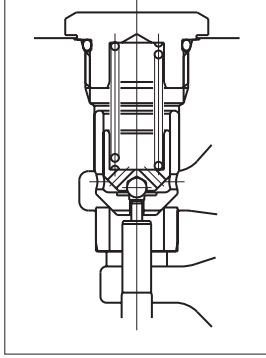
For latest information, PDF catalogs and operation manuals

Sectional structural diagram

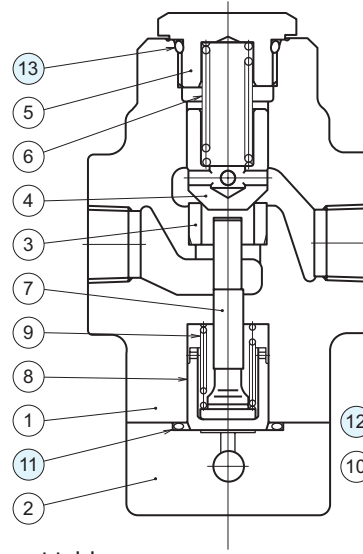
JCP-G**



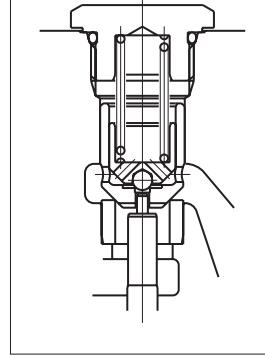
JCPD-G**



JCP-T**



JCPD-T**



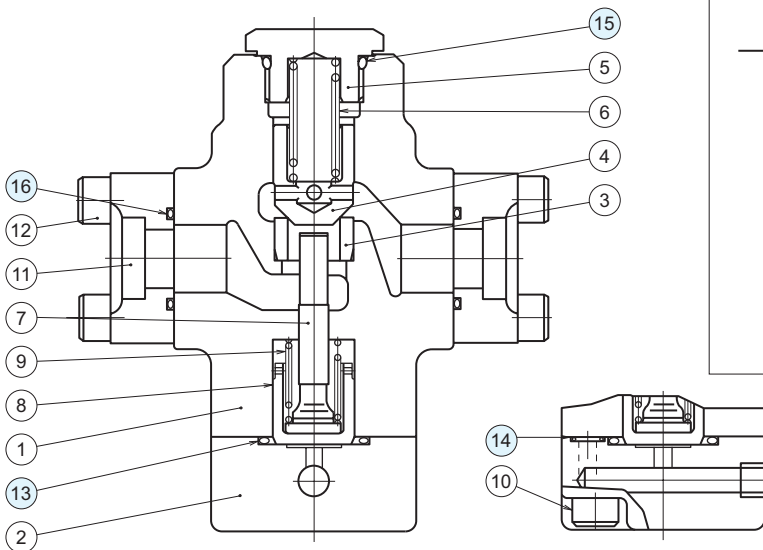
Sealing part table

| Part No. | Name | Quantity | Part specifications | | |
|----------|--------|----------|---------------------|-------------------|-------------------|
| | | | JCP(D)-G03 | JCP(D)-G06 | JCP(D)-G10 |
| 12 | O-ring | 2 | JIS B 2401 1B P18 | JIS B 2401 1B P28 | JIS B 2401 1B P32 |
| 13 | O-ring | 2 | JIS B 2401 1B P9 | JIS B 2401 1B P9 | JIS B 2401 1B P9 |
| 14 | O-ring | 1 | JIS B 2401 1B G25 | JIS B 2401 1B P32 | JIS B 2401 1B P42 |
| 15 | O-ring | 1 | JIS B 2401 1B P7 | JIS B 2401 1B P9 | JIS B 2401 1B P9 |
| 16 | O-ring | 1 | JIS B 2401 1B P21 | JIS B 2401 1B P29 | JIS B 2401 1B P36 |

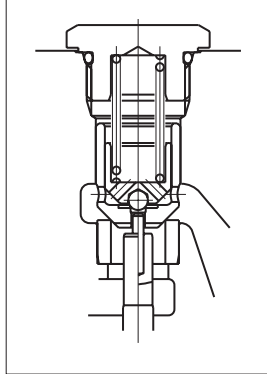
Sealing part table

| Part No. | Name | Quantity | Part specifications | | |
|----------|--------|----------|---------------------|-------------------|-------------------|
| | | | JCP(D)-T03 | JCP(D)-T06 | JCP(D)-T10 |
| 11 | O-ring | 1 | JIS B 2401 1B G25 | JIS B 2401 1B P32 | JIS B 2401 1B P42 |
| 12 | O-ring | 1 | JIS B 2401 1B P7 | JIS B 2401 1B P9 | JIS B 2401 1B P9 |
| 13 | O-ring | 1 | JIS B 2401 1B P21 | JIS B 2401 1B P29 | JIS B 2401 1B P36 |

JCP-F**



JCPD-F**



Sealing part table

| Part No. | Name | Quantity | Part specifications | | |
|----------|--------|----------|---------------------|-------------------|-------------------|
| | | | JCP(D)-F06 | JCP(D)-F10 | JCP(D)-F16 |
| 13 | O-ring | 1 | JIS B 2401 1B P32 | JIS B 2401 1B P42 | JIS B 2401 1B G70 |
| 14 | O-ring | 1 | JIS B 2401 1B P9 | JIS B 2401 1B P9 | JIS B 2401 1B G25 |
| 15 | O-ring | 1 | JIS B 2401 1B P29 | JIS B 2401 1B P36 | JIS B 2401 1B G70 |
| 16 | O-ring | 2 | JIS B 2401 1B G30 | JIS B 2401 1B G40 | JIS B 2401 1B G60 |