

# Stop Valves



## Features

- Used as a stop valve for a hydraulic circuit only to open/close the circuit. The highly user-friendly handle enables smooth opening/closing.

## Nomenclature

**HDCV** - ※ ※ ※

1

2

3

### 1 Model No.

(Applicable fluids: petroleum-based hydraulic oil)

HDCV: Stop valve

### 2 Connections

T: Screw connection type

F: Flange connection type

### 3 Nominal diameter

03: 3/8

06: 3/4

10: 1 1/4

12: 1 1/2

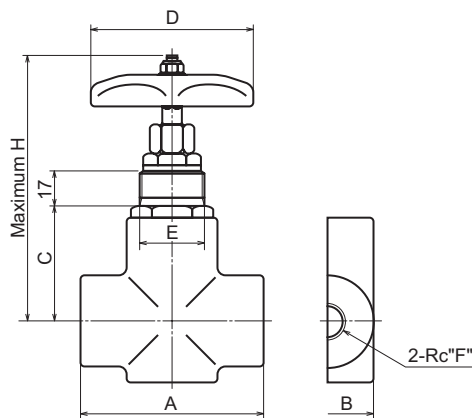
16: 2

## Specifications

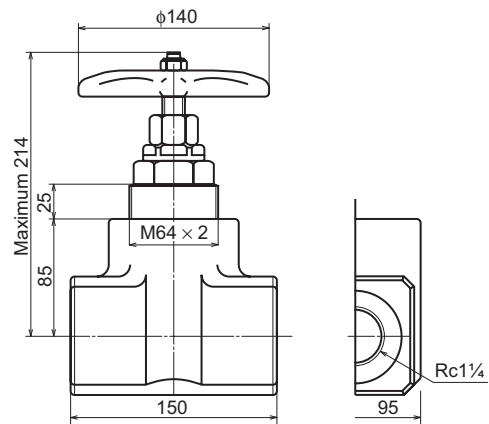
Model code		Nominal diameter	Maximum operating pressure MPa {kgf/cm <sup>2</sup> }	Maximum flow rate L/min	Mass kg	
Screw connection type (T)	Flange connection type (F)				Screw connection type (T)	Flange connection type (F)
HDCV-T03	-	3/8	21 {210}	25	1.9	-
HDCV-T06	HDCV-F06	3/4		90	4.2	5.4
HDCV-T10	HDCV-F10	1 1/4		280	10.4	12.5
-	HDCV-F12	1 1/2		380	-	20.0
-	HDCV-F16	2		440	-	27.2

## External dimension diagram

HDCV-T03, 06 (Screw connection type)



HDCV-T10 (Screw connection type)



Model code	Dimensions						
	A	B	C	D	E	F	H
HDCV-T03	90	45	57	80	M32 × 1.5	3/8	136
HDCV-T06	110	65	80	120	M40 × 1.5	3/4	181

## Contact Details

Before using the product, please check the guide pages at the front of this catalog.

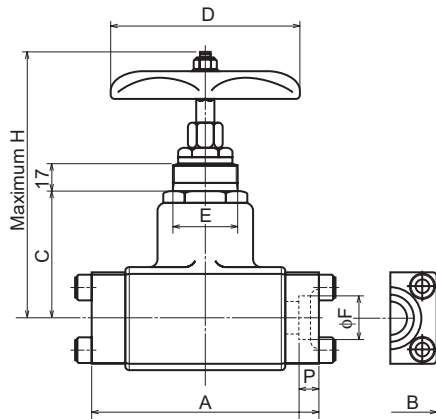
Internet

<https://www.daikinpmc.com/en/>

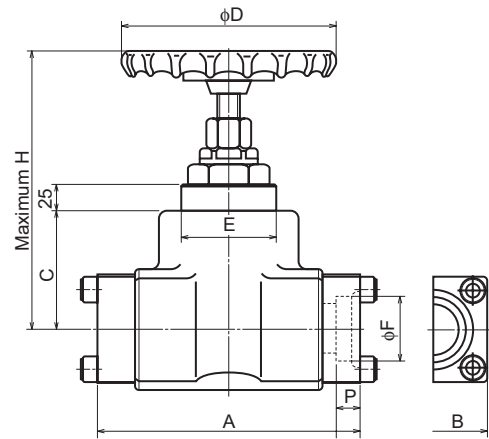
For latest information, PDF catalogs and operation manuals

## External dimension diagram

HDCV-F06 (Flange connection type)



HDCV-F10, 12, 16 (Flange connection type)



Model code	Dimensions							
	A	B	C	D	E	F	H	P
HDCV-F06	142	58	80	120	M40 × 1.5	27.7	181	12
HDCV-F10	204	76	85	140	M64 × 2	43.2	214	16
HDCV-F12	230	92	95	160	M76 × 2	49.1	229	18
HDCV-F16	245	100	110	200	M90 × 2	61.1	277	20