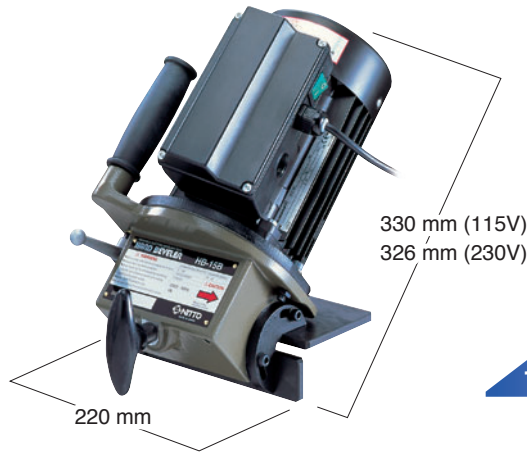


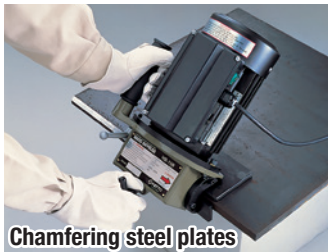
Portable Chamfering Tools

HAND BEVELER

Model **HB-15B**



15C
Mild Steel



Chamfering up to 15C

- Ideal for plate, pipe, and tube chamfering for welding preparation
- Chamfer width up to 15 mm at 45° angle using multiple passes
- Indexable inserts have four working edges for good economy
- Finishes a surface so fine that post-sanding is unnecessary
- Column R-section can be chamfered with optional attachment
- High speed cutting action minimizes material hardening

Specifications

Model		HB-15B	
Power Source (Single Phase)		110 - 120 V AC, 50/60 Hz	220 - 240 V AC, 50/60 Hz
Rated Power Consumption	W	910	
Rated Current	A	10.5	4
Duty Cycle	min	Continuous	
No-load Speed	min ⁻¹ (rpm)	3350	2750
Chamfering Capacity (Mild Steel)		Up to 15 mm Chamfer *	
Chamfer Angle		15° - 45°	
Power Cord Length	m	5	
Mass (Weight)	kg	15	

*Max. Chamfering Capacity for one - cut is 7C

Accessories Included

- 12 pieces of Indexable Insert 12.7 (Installed)
- 12 pieces of Indexable Insert 12.7
- 4 mm Hex. Socket Screw Key
- 5 mm Hex. Socket Screw Key
- 6 mm Hex. Socket Screw Key
- 24 x 27 mm Spanner
- Hook Spanner 25 - 28
- 3 mm T Wrench
- Roller Bracket Ass'y
- Spacer A
- Spacer B
- Plate B

Chamfer Angle and Width

Chamfer Angle α	Mild Steel(mm)		Chamfer	Straight
	X	Y		
45°	15	15		
30°	9	15.5		
15°	4	15.4		

Handy Electric Chamfering Tool

MINI BEVELER

Model **EMB-0307B**

Double insulation



7C
4R
Mild Steel

3C
4R
Stainless Steel

Designed to chamfer stainless and mild steel

- Ideal for edge chamfering pipe, tube, and plate
- Adjustable to chamfer angles from 15° to 45°
- Chamfer width up to 7 mm on mild steel.
- Uses indexable carbide inserts
- Swarf and chip collection box included

Specifications

Model		EMB-0307B	
Power Source (Single Phase)		220 - 240 V AC, 50/60 Hz*	
Rated Power Consumption	W	1100	
Rated Current	A	5	
Duty Cycle	min	Continuous	
No-load Speed	min ⁻¹ (rpm)	11000	
Chamfering Capacity	Mild Steel	Up to 7 mm Chamfer or 2, 3, 4 mm Radius	
	Stainless Steel	Up to 3 mm Chamfer or 2, 3, 4 mm Radius	
Chamfer Angle		15° - 45°	
Power Cord Length	m	2.5	
Mass (Weight)	kg	3.9	

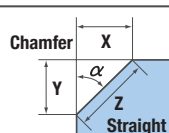
*115 V available on request.

Accessories Included

- Indexable Insert with Hole 12.7 (Installed)
- Indexable Insert Set Screw 4 x 7 (Installed)
- Indexable Insert with Hole 12.7
- Indexable Insert Set Screw 4 x 7
- Dust Box Ass'y
- Carbon Brush Ass'y
- 2 pieces of Hex. Nut M8
- 2 pieces of Hex. Socket Set Screw 8 x 25
- 3 pieces of Pan Head Screw 5 x 10
- 4 mm Hex. Socket Screw Key
- Spanner T-15D

Chamfer Angle, Width and Radius

Chamfer Angle α	Mild Steel(mm)			Stainless Steel(mm)		
	X	Y	Z	X	Y	Z
45°	7	7	9.9	3	3	4.2
30°	3.8	6.6	7.6	2.2	3.8	4.4
15°	1.5	5.6	5.8	1	3.8	3.9



	Mild Steel(mm)	Stainless Steel(mm)
Radius	2, 3, 4	2, 3, 4

