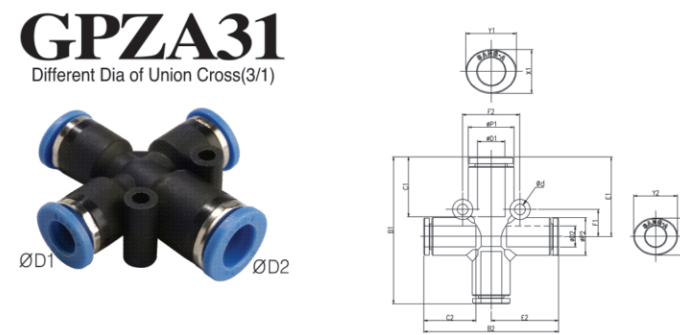
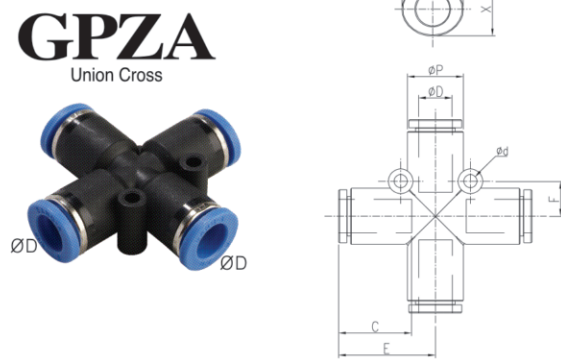


MODEL[ØD-T] Tube(Metric)–Thread(R)

MODEL	ØD1	ØD2	ØP1	ØP2	B	C1	C2	Ød	F	J	X1	Y1	X2	Y2	Orifice (Ømm)	W.G(g)	Qty/Inbox
GPW 0604	4	6	9	11.2	32.5	14.5	15.5	3.2	13.2	9.3	8.6	10.8	11	13	2.6	5.1	100
GPW 0804	4	8	11.2	13.6	37.7	14.5	17.8	3.2	13.7	11.4	8.6	10.8	13	15	2.6	12.3	50
GPW 0806	6	8	11.2	13.6	38.5	15.5	17.8	3.2	14.1	11.4	11	13	13	15	4.1	8.2	50
GPW 1006	6	10	13.6	16.3	42.6	15.5	19.4	3.2	17.2	14.2	11	13	16	18.5	4.1	19.8	25
GPW 1008	8	10	13.6	16.3	43.2	17.8	19.4	3.2	17.8	14.2	13	15	16	18.5	6.4	12.6	25
GPW 1208	8	12	16.3	19.7	50.5	17.8	22.4	4.2	17.6	17	13	15	19.5	22.5	6.4	29.4	25
GPW 1210	10	12	16.3	19.7	50.9	19.4	22.4	4.2	18	17	16	18.5	19.5	22.5	7.0	20.4	25

MODEL[ØD-T] Tube(Metric)–Thread(R)

MODEL	ØD1	ØD2	ØP1	ØP2	C1	C2	B1	B2	E1	E2	F1	F2	Ød	X1	Y1	X2	Y2	Orifice (Ømm)	W.G(g)	Qty/Inbox
GPZA22 0806	8	6	13.6	11.2	17.8	15.5	47.2	39.9	23.6	20	8	17	3.2	13	15	11	13	5	12.2	25
GPZA22 1008	10	8	16.3	13.6	19.4	17.8	50	48.2	25	24.1	9.5	20	4.2	16	18.5	13	15	7	18.0	25
GPZA22 1210	12	10	19.7	16.3	22.4	19.4	64.4	51	32.2	25.5	10	24	4.2	19.5	22.5	16	18.5	9	30.3	15



MODEL[ØD-T] Tube(Metric)–Thread(R)

MODEL	ØD	ØP	C	E	F	Ød	X	Y	Orifice (Ømm)	W.G(g)	Qty/Inbox
GPZA 04	4	9	14.5	17.1	6	3.2	8.6	10.8	3.2	5.9	50
GPZA 06	6	11.2	15.5	19	6.5	3.2	11	13	5	8.9	50
GPZA 08	8	13.6	17.8	23.6	8.5	3.2	13	15	7	14.8	25
GPZA 10	10	16.3	19.4	25	10	4.2	16	18.5	9	21.1	25
GPZA 12	12	19.7	22.4	32.2	12	4.2	19.5	22.5	10	38.8	15

MODEL[ØD-T] Tube(Metric)–Thread(R)

MODEL	ØD1	ØD2	ØP1	ØP2	C1	C2	B1	B2	E1	E2	F1	F2	Ød	X1	Y1	X2	Y2	Orifice (Ømm)	W.G(g)	Qty/Inbox
GPZA31 0806	8	6	13.6	11.2	17.8	15.5	43.6	39.9	23.6	20	8	17	3.2	13	15	11	13	5	10.9	25
GPZA31 1008	10	8	16.3	13.6	19.4	17.8	49.1	48.2	25	24.1	9.5	20	4.2	16	18.5	13	15	7	16.5	25
GPZA31 1210	12	10	19.7	16.3	22.4	19.4	57.7	51	32.2	25.5	10	24	4.2	19.5	22.5	16	18.5	9	25.9	15