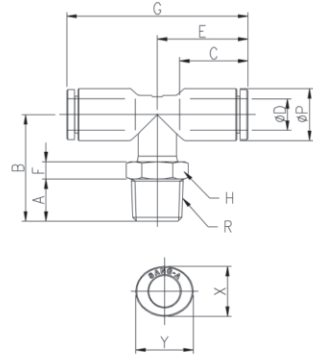


### GPT(L)

Male Branch Tee



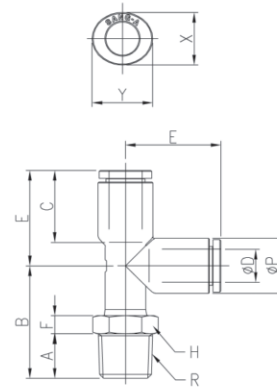
MODEL [ØD-T] Tube (Metric) – Thread (R)

MODEL	ØD	R	ØP	A	B	C	E	F	G	H	X	Y	Orifice (Ømm)	W.G(g)	Qty/Inbox
GPT 04M3(L)	4	M3	9	3	17.8	14.5	17.1	5.4	34.2	9	8.6	10.8	1.2	6.0	100
GPT 04M5(L)	4	M5	9	4	17.8	14.5	17.1	4.4	34.2	9	8.6	10.8	2	6.1	100
GPT 04M6(L)	4	M6	9	5	18.8	14.5	17.1	4.4	34.2	9	8.6	10.8	3	6.5	100
GPT 0401(L)	4	R1/8	9	8	21	14.5	17.1	5	34.2	10	8.6	10.8	3.2	9.1	100
GPT 0402(L)	4	R1/4	9	11	24	14.5	17.1	5	34.2	14	8.6	10.8	3.2	17.4	50
GPT 0403(L)	4	R3/8	9	12	25	14.5	17.1	5	34.2	17	8.6	10.8	3.2	25.9	50
GPT 06M5(L)	6	M5	11.2	4	19.4	15.5	18	4.4	35.9	9	11	13	2	7.4	50
GPT 06M6(L)	6	M6	11.2	5	20.4	15.5	18	4.4	35.9	9	11	13	3	7.8	50
GPT 0601(L)	6	R1/8	11.2	8	22.6	15.5	18	5	35.9	10	11	13	4	10.4	50
GPT 0602(L)	6	R1/4	11.2	11	25.6	15.5	18	5	35.9	14	11	13	4	18.7	50
GPT 0603(L)	6	R3/8	11.2	12	26.6	15.5	18	5	35.9	17	11	13	4	27.2	50
GPT 0604(L)	6	R1/2	11.2	15	30.6	15.5	18	6	35.9	21	11	13	4	47.5	25
GPT 0801(L)	8	R1/8	13.6	8	25.3	17.8	23.6	5	47.2	10	13	15	5.5	12.7	50
GPT 0802(L)	8	R1/4	13.6	11	27.8	17.8	23.6	4.5	47.2	14	13	15	5.5	20.6	50
GPT 0803(L)	8	R3/8	13.6	12	28.8	17.8	23.6	4.5	47.2	17	13	15	5.5	29.0	50
GPT 0804(L)	8	R1/2	13.6	15	32.8	17.8	23.6	5.5	47.2	21	13	15	5.5	49.3	25
GPT 1001(L)	10	R1/8	16.3	8	29.7	19.4	25	6.5	50	17	16	18.5	6	29.0	25
GPT 1002(L)	10	R1/4	16.3	11	32.7	19.4	25	6.5	50	17	16	18.5	8	33.3	25
GPT 1003(L)	10	R3/8	16.3	12	32.2	19.4	25	5	50	17	16	18.5	9	35.1	25
GPT 1004(L)	10	R1/2	16.3	15	35.2	19.4	25	5	50	21	16	18.5	9	53.0	25
GPT 1201(L)	12	R1/8	19.7	8	31.4	22.4	32.2	6.5	64.4	17	19.5	22.5	6	33.8	20
GPT 1202(L)	12	R1/4	19.7	11	34.4	22.4	32.2	6.5	64.4	17	19.5	22.5	8	38.1	20
GPT 1203(L)	12	R3/8	19.7	12	33.9	22.4	32.2	5	64.4	17	19.5	22.5	9.5	39.9	20
GPT 1204(L)	12	R1/2	19.7	15	36.9	22.4	32.2	5	64.4	21	19.5	22.5	9.5	57.8	20

\*Rotating body construction after a proper installation.

### GPST(L)

Male Run Tee



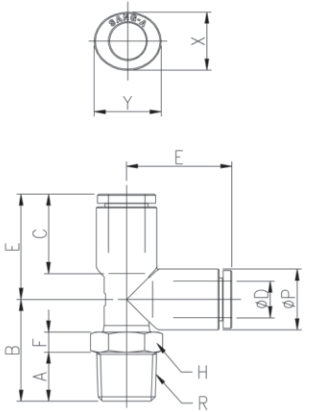
MODEL [ØD-T] Tube (Metric) – Thread (R)

MODEL	ØD	R	ØP	A	B	C	E	F	H	X	Y	Orifice (Ømm)	W.G(g)	Qty/Inbox
GPST 04M3(L)	4	M3	9	3	17.8	14.5	17.1	5.4	9	8.6	10.8	1.2	5.4	100
GPST 04M5(L)	4	M5	9	4	17.8	14.5	17.1	4.4	9	8.6	10.8	2	5.6	100
GPST 04M6(L)	4	M6	9	5	18.8	14.5	17.1	4.4	9	8.6	10.8	3	6.0	100
GPST 0401(L)	4	R1/8	9	8	21	14.5	17.1	5	10	8.6	10.8	3.2	8.6	100
GPST 0402(L)	4	R1/4	9	11	24	14.5	17.1	5	14	8.6	10.8	3.2	16.9	50
GPST 0403(L)	4	R3/8	9	12	25	14.5	17.1	5	17	8.6	10.8	3.2	25.4	50
GPST 06M5(L)	6	M5	11.2	4	19.4	15.5	19	4.4	9	11	13	2	7.3	50
GPST 06M6(L)	6	M6	11.2	5	20.4	15.5	19	4.4	9	11	13	3	7.7	50
GPST 0601(L)	6	R1/8	11.2	8	22.6	15.5	19	5	10	11	13	4	10.3	50
GPST 0602(L)	6	R1/4	11.2	11	25.6	15.5	19	5	14	11	13	4	18.6	50
GPST 0603(L)	6	R3/8	11.2	12	26.6	15.5	19	5	17	11	13	4	27.1	50
GPST 0604(L)	6	R1/2	11.2	15	30.6	15.5	19	6	21	11	13	4	47.4	25
GPST 0801(L)	8	R1/8	13.6	8	25.3	17.8	23.6	5	10	13	15	5.5	12.4	50
GPST 0802(L)	8	R1/4	13.6	11	27.8	17.8	23.6	4.5	14	13	15	5.5	20.3	50
GPST 0803(L)	8	R3/8	13.6	12	28.8	17.8	23.6	4.5	17	13	15	5.5	28.7	25
GPST 0804(L)	8	R1/2	13.6	15	32.8	17.8	23.6	5.5	21	13	15	5.5	49.0	25
GPST 1001(L)	10	R1/8	16.3	8	29.7	19.4	25	6.5	17	16	18.5	6	23.9	25
GPST 1002(L)	10	R1/4	16.3	11	32.7	19.4	25	6.5	17	16	18.5	8	28.2	25
GPST 1003(L)	10	R3/8	16.3	12	32.2	19.4	25	5	17	16	18.5	9	30.0	25
GPST 1004(L)	10	R1/2	16.3	15	35.2	19.4	25	5	21	16	18.5	9	47.9	25
GPST 1201(L)	12	R1/8	19.7	8	31.4	22.4	32.2	6.5	17	19.5	22.5	6	33.3	20
GPST 1202(L)	12	R1/4	19.7	11	34.4	22.4	32.2	6.5	17	19.5	22.5	8	37.6	20
GPST 1203(L)	12	R3/8	19.7	12	33.9	22.4	32.2	5	17	19.5	22.5	9.5	39.4	20
GPST 1204(L)	12	R1/2	19.7	15	36.9	22.4	32.2	5	21	19.5	22.5	9.5	57.3	20

\*Rotating body construction after a proper installation.

### GPST

Male Run Tee



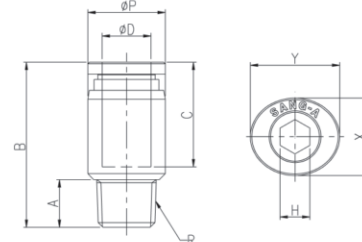
MODEL [ØD-T] Tube (Metric) – Thread (R)

MODEL	ØD	R	ØP	A	B	C	E	F	H	X	Y	Orifice (Ømm)	W.G(g)	Qty/Inbox
GPST 03M3	3	M3	9	3	14.6	14.5	17.1	5.4	9	8.6	10.8	1.2	6.2	100
GPST 03M5	3	M5	9	4	14.6	14.5	17.1	4.4	9	8.6	10.8	2	6.4	100
GPST 03M6	3	M6	9	5	15.6	14.5	17.1	4.4	9	8.6	10.8	3	6.8	100
GPST 04M3	4	M3	9	3	14.6	14.5	17.1	5.4	9	8.6	10.8	1.2	6.0	100
GPST 04M5	4	M5	9	4	14.6	14.5	17.1	4.4	9	8.6	10.8	2	6.2	100
GPST 04M6	4	M6	9	5	15.6	14.5	17.1	4.4	9	8.6	10.8	3	6.6	100
GPST 0401	4	R1/8	9	8	17.8	14.5	17.1	5	10	8.6	10.8	3.2	9.5	100
GPST 0402	4	R1/4	9	11	20.8	14.5	17.1	5	14	8.6	10.8	3.2	18.6	50
GPST 0403	4	R3/8	9	12	21.8	14.5	17.1	5	17	8.6	10.8	3.2	28.0	50
GPST 06M5	6	M5	11.2	4	15.7	15.5	19	4.4	9	11	13	2	7.9	50
GPST 06M6	6	M6	11.2	5	16.7	15.5	19	4.4	9	11	13	3	8.4	50
GPST 0601	6	R1/8	11.2	8	18.9	15.5	19	5	10	11	13	4	11.2	50
GPST 0602	6	R1/4	11.2	11	21.9	15.5	19	5	14	11	13	4	20.4	50
GPST 0603	6	R3/8	11.2	12	22.9	15.5	19	5	17	11	13	4	29.7	50
GPST 0604	6	R1/2	11.2	15	26.9	15.5	19	6	21	11	13	4	52.1	25
GPST 0801	8	R1/8	13.6	8	20.3	17.8	23.6	5	10	13	15	5.5	14.7	50
GPST 0802	8	R1/4	13.6	11	22.8	17.8	23.6	4.5	14	13	15	5.5	23.4	50
GPST 0803	8	R3/8	13.6	12	23.8	17.8	23.6	4.5	17	13	15	5.5	32.7	25
GPST 0804	8	R1/2	13.6	15	27.8	17.8	23.6	5.5	21	13	15	5.5	55.0	25
GPST 1001	10	R1/8	16.3	8	23.6	19.4	25	6.5	17	16	18.5	6	26.1	25
GPST 1002	10	R1/4	16.3	11	26.6	19.4	25	6.5	17	16	18.5	8	30.9	25
GPST 1003	10	R3/8	16.3	12	26.1	19.4	25	5	17	16	18.5	9	32.9	25
GPST 1004	10	R1/2	16.3	15	29.1	19.4	25	5	21	16	18.5	9	52.5	25
GPST 1201	12	R1/8	19.7	8	25.5	22.4	32.2	6.5	17	19.5	22.5	6	36.7	20
GPST 1202	12	R1/4	19.7	11	28.5	22.4	32.2	6.5	17	19.5	22.5	8	41.4	20
GPST 1203	12	R3/8	19.7	12	28	22.4	32.2	5	17	19.5	22.5	9.5	43.4	20
GPST 1204	12	R1/2	19.7	15	31	22.4	32.2	5	21	19.5	22.5	9.5	63.1	20
GPST 1403	14	R3/8	23.5	12	35	24.4	31.9	10.5	20	23	25	11	68.8	16
GPST 1404	14	R1/2	23.5	15	37.5	24.4	31.9	10	21	23	25	12	83.1	16
GPST 1603	16	R3/8	25.6	12	36	25	34	10.5	20	24	27	11	69.1	16
GPST 1604	16	R1/2	25.6	15	38.5	25	34	10	21	24	27	13	83.4	16

\*Rotating body construction after a proper installation.

### GPOC

Round Male Straight



MODEL [ØD-T] Tube (Metric) – Thread (R)

MODEL	ØD	R	ØP	A	B	C	H	X	Y	Orifice (Ømm)	W.G(g)	Qty/Inbox
GPOC 03M3	3	M3	8.2	3	20.4	14.5	1.5	8.6	10.8	1.2	4.1	100
GPOC 03M5	3	M5	8.2	4	20.1	14.5	2	8.6	10.8	2	4.5	100
GPOC 03M6	3	M6	8.8	5	21.1	1						