

Metric Size R(PT) Thread Type

— One -Touch Fittings

- Compact One -Touch Fittings
- Speed Controllers
- Metal Body Speed Controllers
- Rotary Joints
- Stop Fittings
- Check Valves
- Ball Valves
- Main Blocks
- Hand Valves
- Hand Slide Valves
- Two-Touch Fittings

ONE-TOUCH FITTINGS

Application

- One-touch joints used in pneumatic piping.
- Used for a wide variety of models to meet all needs.

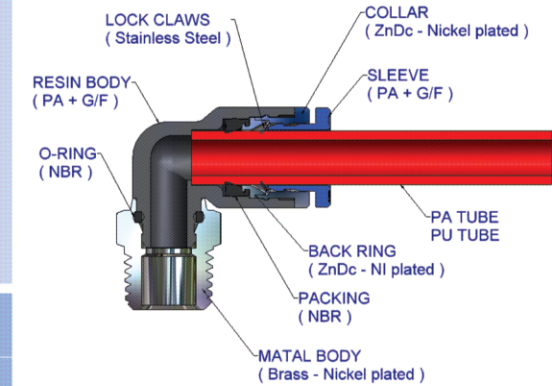
Feature

- Easy to connect/disconnect tube by one touch.
- PC type is useful for piping in confined space, given its six-angle wrench processing inside.
- Elliptical sleeve makes it possible to apply and remove the tube easily in confined space.
- Fittings are equipped with a Gasket, O-ring and Teflon-Treatment already on the thread.

Specification

Fluid	AIR(No other gases or liquids)	
Working Pressure Range	0 ~ 284PSI	0 ~ 20Kgf/cm ² (0~1960kPa)
Negative Pressure	-29.5 in Hg	-750mmHg(10Torr)
Temperature Range	32~176° F	0 ~ 80° C
Applicable Tube Material	Polyurethane and Nylon	

Structural Diagram



Case In Use

► POC Model

- The hexagonal hole of the inside body makes it possible to tighten the fitting with a hexagonal wrench.
- A hexagonal wrench must be used due to the round exterior.

► PL Model

- Flexible for directional tube laying given its revolving construction of body (PL and PT type)

► Elliptical Sleeve

- Elliptical sleeve makes it possible to apply and remove the tube easily in confined spaces.

Product Code System

GPC 08-02 **GPC 08-02 GR**

① ② ③ ① ② ③ ④

① Type

② Tube Dia(∅D)

Code	04	06	08	10	12	16
Dia	∅4	∅6	∅8	∅10	∅12	∅16

③ Thread Size(T)

* Metric Thread & R(PT) Thread

Code	Metric Size		Taper Pipe Thread			
	M5	M6	01	02	03	04
Size	M5×0.8	M6×1.0	R1/8	R1/4	R3/8	R1/2

④ Color(Gray fitting can be produced)

	BK	GR
Color	Black	Gray

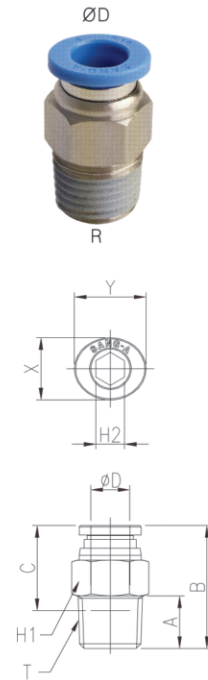
⚠ CAUTION

- Be sure to read the "Common Precautions" and the "Using Precautions of Fitting Series" (P12) before using.
 - In putting tube on the fitting, be sure to push it deeply into the inside.
- In case of incorrect installation, there is a risk of air leakage or loose tube.

⚠ WARNING

- Be sure to confirm that proper conditions are met(specifications), otherwise there may be air leakage by damage on the fitting body.

GPC
Male Straight



MODEL [ØD-T] Tube (Metric) – Thread (R)

MODEL	ØD	R	A	B	C	H1	H2	X	Y	Orifice (Ømm)	W.G(g)	Qty/Inbox
GPC 03M3	3	M3	3	20.4	14.5	8	1.5	8.6	10.8	1.2	4.5	100
GPC 03M5	3	M5	4	20.1	14.5	8	2	8.6	10.8	2	4.7	100
GPC 03M6	3	M6	5	21.1	14.5	9	2	8.6	10.8	2	6.8	100
GPC 04M3	4	M3	3	20.4	14.5	8	1.5	8.6	10.8	1.2	4.2	100
GPC 04M5	4	M5	4	20.1	14.5	8	2	8.6	10.8	2	4.5	100
GPC 04M6	4	M6	5	21.1	14.5	9	3	8.6	10.8	3	6.3	100
GPC 0401	4	R1/8	8	20.1	14.5	10	3	8.6	10.8	3	8.6	100
GPC 0402	4	R1/4	11	20.1	14.5	14	3	8.6	10.8	3	17.3	100
GPC 0403	4	R3/8	12	21.1	14.5	17	3	8.6	10.8	3	30.0	50
GPC 06M5	6	M5	4	21.8	15.5	11	2	11	13	2	8.3	100
GPC 06M6	6	M6	5	22.8	15.5	11	3	11	13	3	8.0	100
GPC 0601	6	R1/8	8	22	15.5	11	4	11	13	4	9.2	100
GPC 0602	6	R1/4	11	22.8	15.5	14	4	11	13	4	18.2	100
GPC 0603	6	R3/8	12	21.8	15.5	17	4	11	13	4	28.4	50
GPC 0604	6	R1/2	15	25.8	15.5	21	4	11	13	4	54.4	50
GPC 0801	8	R1/8	8	27.7	17.8	13	5	13	15	5	13.7	100
GPC 0802	8	R1/4	11	25.7	17.8	14	6	13	15	6	17.1	100
GPC 0803	8	R3/8	12	23.7	17.8	17	6	13	15	6	27.3	50
GPC 0804	8	R1/2	15	26.7	17.8	21	6	13	15	6	51.8	50
GPC 1001	10	R1/8	8	29.4	19.4	17	5	16	18.5	5	22.2	50
GPC 1002	10	R1/4	11	32.4	19.4	17	6	16	18.5	6	27.6	50
GPC 1003	10	R3/8	12	28.4	19.4	17	8	16	18.5	8	29.3	50
GPC 1004	10	R1/2	15	27.3	19.4	21	8	16	18.5	8	48.5	50
GPC 1201	12	R1/8	8	32.4	22.4	19	5	19.5	22.5	5	28.9	50
GPC 1202	12	R1/4	11	35.4	22.4	19	6	19.5	22.5	6	34.2	50
GPC 1203	12	R3/8	12	31.8	22.4	19	8	19.5	22.5	8	33.5	50
GPC 1204	12	R1/2	15	33.8	22.4	21	8	19.5	22.5	8	54.8	25
GPC 1403	14	R3/8	12	39	24.4	22	8	23	25	8	53.9	25
GPC 1404	14	R1/2	15	36.5	24.4	22	10	23	25	10	58.9	25
GPC 1603	16	R3/8	12	39.7	25	24	8	24	27	8	58.7	25
GPC 1604	16	R1/2	15	42.2	25	24	10	24	27	10	58.2	25

*Hexagonal wrench may be used for a proper tightening.

GMPC
Male Straight
(Sleeve round)



MODEL [ØD-T] Tube (Metric) – Thread (R)

MODEL	ØD	R	ØP	A	B	C	H1	H2	Orifice (Ømm)	W.G(g)	Qty/Inbox
GMPC 04M5	4	M5	8.2	4	20.1	14.5	8	2	2	4.5	100
GMPC 04M6	4	M6	8.8	5	21.1	14.5	9	3	3	6.3	100
GMPC 0401	4	R1/8	8.8	8	20.1	14.5	10	3	3	8.6	100
GMPC 0402	4	R1/4	8.8	11	20.1	14.5	14	3	3	17.3	100
GMPC 0403	4	R3/8	8.8	12	21.1	14.5	17	3	3	30.0	50
GMPC 06M5	6	M5	11	4	21.8	15.5	11	2	2	8.3	100
GMPC 06M6	6	M6	11	5	22.8	15.5	11	3	3	8.0	100
GMPC 0601	6	R1/8	11	8	22	15.5	11	4	4	9.2	100
GMPC 0602	6	R1/4	11	11	22.8	15.5	14	4	4	18.2	100
GMPC 0603	6	R3/8	11	12	22.8	15.5	17	4	4	28.4	50
GMPC 0604	6	R1/2	11	15	25.8	15.5	21	4	4	54.4	50
GMPC 0801	8	R1/8	13	8	27.7	17.8	13	5	5	13.7	100
GMPC 0802	8	R1/4	13	11	25.7	17.8	14	6	6	17.1	100
GMPC 0803	8	R3/8	13	12	23.7	17.8	17	6	6	27.3	50
GMPC 0804	8	R1/2	13	15	26.7	17.8	21	6	6	51.8	50
GMPC 1001	10	R1/8	15.5	8	29.4	19.4	17	5	5	22.2	50
GMPC 1002	10	R1/4	15.5	11	32.4	19.4	17	6	6	27.6	50
GMPC 1003	10	R3/8	15.5	12	28.4	19.4	17	8	8	29.3	50
GMPC 1004	10	R1/2	15.5	15	27.3	19.4	21	8	8	48.5	50
GMPC 1201	12	R1/8	18.8	8	32.4	22.4	19	5	5	28.9	50
GMPC 1202	12	R1/4	18.8	11	35.4	22.4	19	6	6	34.2	50
GMPC 1203	12	R3/8	18.8	12	31.8	22.4	19	8	8	33.5	50
GMPC 1204	12	R1/2	18.8	15	33.8	22.4	21	8	8	54.8	25